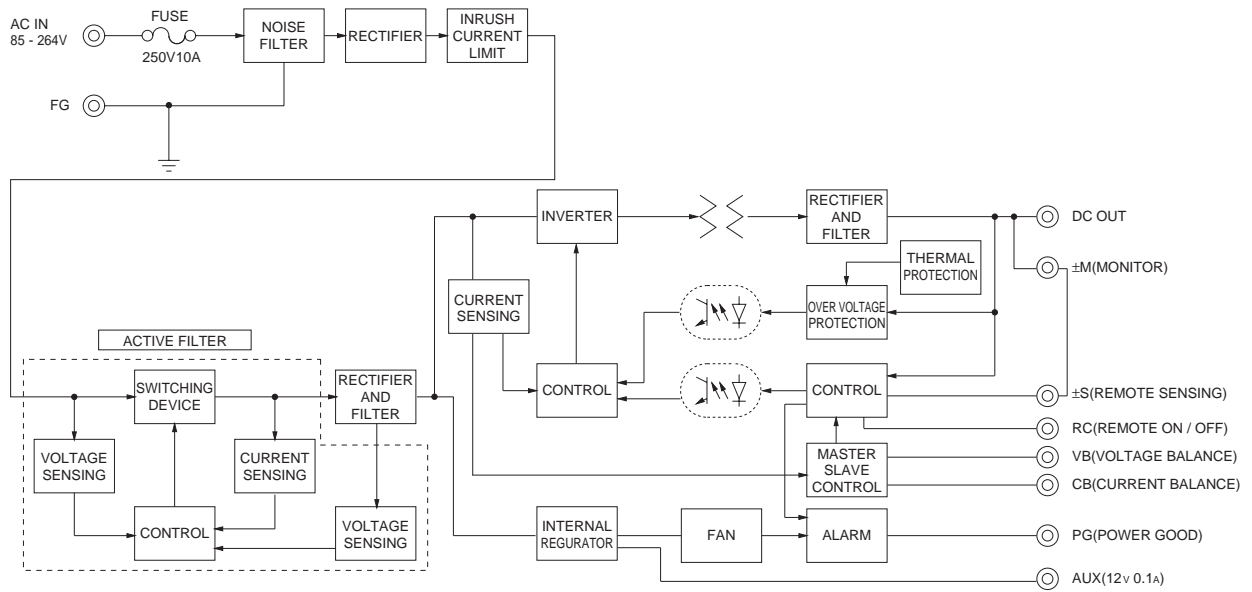


Block diagram



External view

